



Engine	Cummins QSL9.3
Rated Power	162 kW (217 hp / 220 ps) @ 2,200 rpm
Net Power	152 kW (204 hp / 207 ps) @ 2,200 rpm
Operating Weight	18,100 kg
Standard Bucket Size	3 m ³
Standard Breakout Force	180.7 kN
Standard Dump Clearance	2,955 mm

856H MAX WHEEL LOADER

856H MAX SPECIFICATIONS >>>

ENGINE

Emission Regulation	Tier 3 / Stage III
Manufacturer	Cummins
Model	QSL9.3
Rated Power	162 kW (217 hp / 220 ps) @ 2,200 rpm
Net Power	152 kW (204 hp / 207 ps) @ 2,200 rpm
Peak Torque	984 N · m @ 1,300 rpm
Displacement	9.3 L
Number of Cylinder	6
Aspiration	Turbocharged & air-to-air intercooled

TRANSMISSION

Transmission Type	Electro-hydraulic powershift
Torque Converter	Single stage, three elements
Maximum Travel Speed, fwd	36 km/h
Maximum Travel Speed, rev	24 km/h
Number of Speed, fwd	4
Number of Speed, Rev	3

AXLES

Differential Front Type	Limited slip
Differential Rear Type	Limited slip
Axle Oscillation	±12°

STEERING

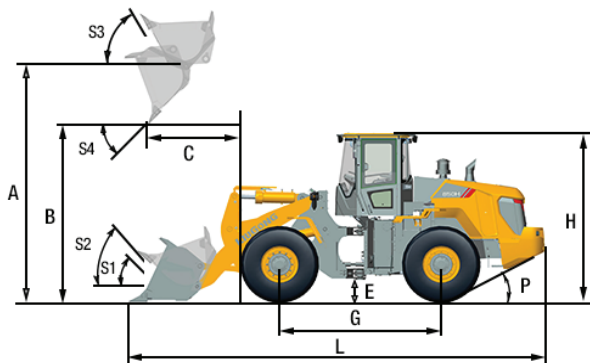
Steering Configuration	Piston
Steering Relief Pressure	20.7 MPa

BRAKES

Service Brake Type	Wet discs brake
Service Brake Actuation	Hydraulic
Parking Brake Type	Drum
Parking Brake Actuation	Electro-hydraulic release

HYDRAULIC SYSTEM

Main Pump Type	Piston
Main Relief Pressure	25 MPa
Raise	4.6 s
Dump Time	1.1 s
Float Down Time	3.0 s
Fastest Total Cycle Time	8.7 s



LOADER ARM PERFORMANCE with Standard Bucket 3 m³

Tipping Load - Straight (ISO 14397-1:2007)	13,880 kg
Tipping Load - Full Turn (ISO 14397-1:2007)	12,150 kg
Bucket Breakout Force	180.7 kN
A Maximum Hinge Pin Height	4,156 mm
B Dump Clearance at Full Height Discharge	2,955 mm
C Dump Reach at Full Height Discharge	1,207 mm
D Maximum Digging Depth, Bucket Level	50 mm
S ₁ Bucket Rollback at Ground Level	44°
S ₂ Bucket Rollback at Carry	49°
S ₃ Bucket Rollback at Maximum Height	57°
S ₄ Maximum Dump Angle at Full Height	45°

BUCKET PERFORMANCE

Reference Bucket	2.7-5.6 m ³
------------------	------------------------

DIMENSIONS

E Ground Clearance	431 mm
G Wheelbase	3,320 mm
H Cab Height	3,500 mm
J Wheel Tread	2,150 mm
K Width Over Tires	2,750 mm
L Length with Bucket Down	8,437 mm
M Turn Angle, Either Side	40°
P Rear Angle of Departure	27°
R ₁ Turning Radius, Bucket Carry	6,913 mm
R ₂ Turning Radius, Outside of Tire	6,205 mm
W Width Over Bucket	2,970 mm

TIRES

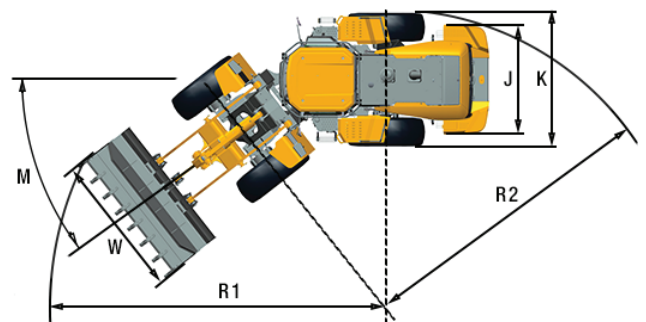
Tire Size	23.5R25
-----------	---------

OPERATING WEIGHTS

Operating Weight	18,100 kg
------------------	-----------

SERVICE CAPACITY

Fuel Tank	270 L
Engine Oil	26 L
Cooling System	50 L
Hydraulic System	240 L
Transmission and Torque Converter	35 L
Axles, Front/Rear	40 L/42 L



Guangxi Liugong Machinery Co., Ltd.

No. 1 Liutai Road, Liuzhou, Guangxi 545007, PR China
T: +86 772 3886124 E: overseas@liugong.com
www.liugong.com

07/2021 Designed by LiuGong

Specifications and designs are subject to change without notice. Machines shown may include optional equipment. LiuGong standard and optional equipment may vary from region to region. Please consult your LiuGong dealer for information specific to your area. Engine power kW is converted to horsepower (1 kW=1.3596 ps and 1 kW=1.3410 hp) in this file.