



Engine	Yanmar 4TNV98
Gross Power	46.3 kW (62 hp / 63 ps) @ 2,200 rpm
Net Power	44.5 kW (60 hp / 61 ps) @ 2,200 rpm
Maximum Dig Depth	4,030 mm
Bucket Capacity	0.32 m ³
Operating Weight	7,500 kg

908E (S) EXCAVATOR

TOUGH WORLD. TOUGH EQUIPMENT.

908E (S) SPECIFICATIONS >>>

ENGINE

Emission Regulation	Tier 3 / Stage IIIA
Make	Yanmar
Model	4TNV98
Gross Power	46.3 kW (62 hp / 63 ps) @ 2,200 rpm
Net Power	44.5 kW (60 hp / 61 ps) @ 2,200 rpm
Peak Torque	245 N·m @ 1,650 rpm
Number of Cylinders	4
Displacement	3.3 L

UNDERCARRIAGE

Shoe Width	450 mm
Number of Shoes per Side	39
Number of Bottom Rollers per Side	5
Number of Upper Rollers per Side	1

TRACK DRIVE

Maximum Travel Speed	4.8 km/h
Drawbar Pull	64 kN

BUCKET PERFORMANCE

Standard Bucket Heaped Capacity (Referenced)	0.32 m ³
Bucket Breakout Force, max, ISO	56 kN
Bucket width	700 mm

BOOM & ARM

Boom Length	3,710 mm
Arm Length	1,650 mm

SERVICE CAPACITIES

Fuel Tank	140 L
Engine Oil	11.6 L
Cooling System	12 L
Hydraulic Reservoir	80 L
Hydraulic System Total	110 L

HYDRAULIC SYSTEM

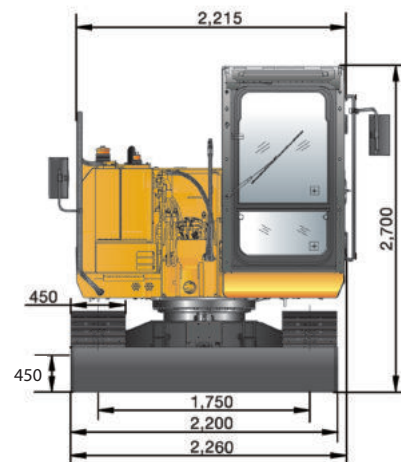
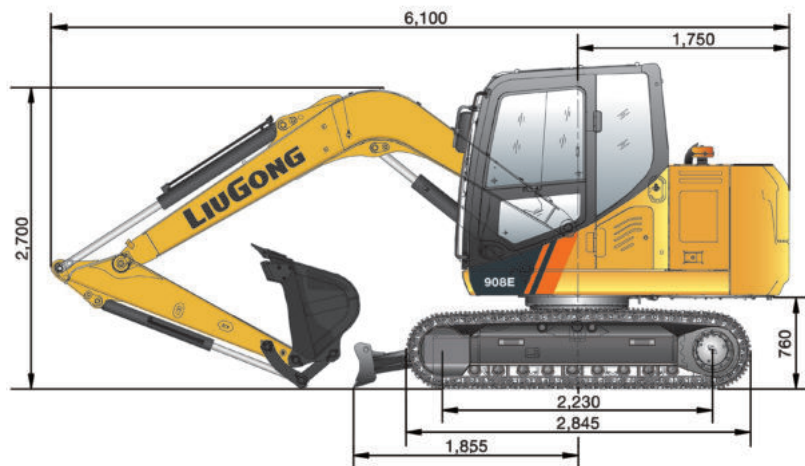
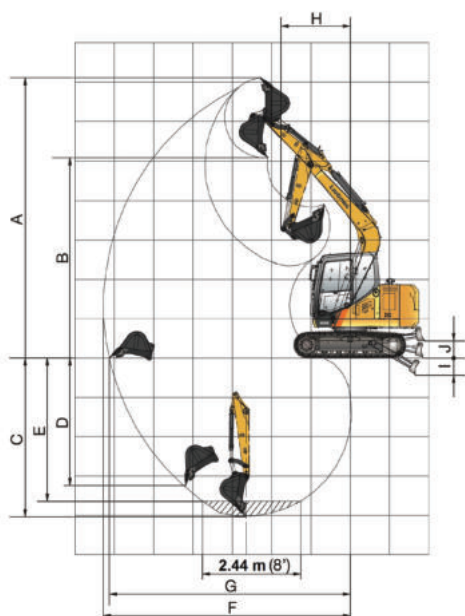
Main Pumps Total Flow	167.2 L/min
Relief Pressure, main	29.4 MPa

SWING SYSTEM

Swing Speed	11 rpm
-------------	--------

WORKING RANGES

A. Max. Digging Reach	7,115 mm
B. Max. Digging Reach on Ground	5,080 mm
C. Max. Digging Depth	4,030 mm
D. Max. Digging Depth, 2.44 m (8') level	3,645 mm
E. Max. Vertical Wall Digging Depth	3,240 mm
F. Max. Cutting Height	6,270 mm
G. Max. Dumping Height	6,125 mm
H. Min. Front Swing Radius	1,785 mm
I. Depth below Ground	410 mm
J. Lift above Ground	450 mm
Bucket Digging Force (ISO)	56 kN
Arm Digging Force (ISO)	38 kN
Ground pressure	33.3 kPa



Guangxi Liugong Machinery Co., Ltd.

No. 1 Liutai Road, Liuzhou, Guangxi PR China, 545007
T: +86 772 3886124 E: overseas@liugong.com
www.liugong.com

Specifications and designs are subject to change without notice. Machines shown may include optional equipment. Liugong standard and optional equipment may vary from region to region. Please consult your Liugong dealer for information specific to your area. Engine power kW is converted to horsepower (1 kW=1.3596 ps and 1 kW=1.3410 hp) in this file.

06/2020 Designed by LiuGong
Replace the previous versions of 01/2020