



Engine	Cummins 6BTAA5.9-C150-II
Gross Power	112 kW (150 hp / 152 ps) @ 1,950 rpm
Net Power	102 kW (137 hp / 139 ps) @ 1,950 rpm
Maximum Dig Depth	11,910 mm
Standard Bucket Capacity	0.45 m ³
Operating Weight	23,850 kg

CLG922EII 15m
EXCAVATOR
LONG REACH ARM

922E SPECIFICATIONS >>>

ENGINE

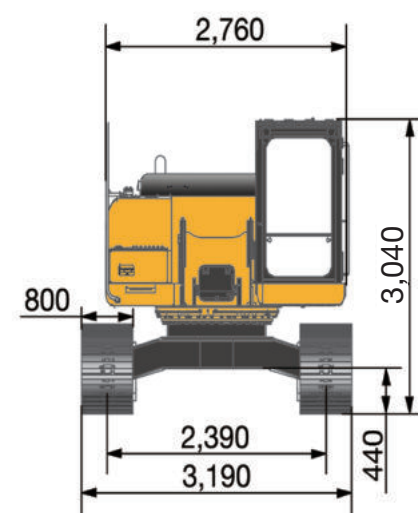
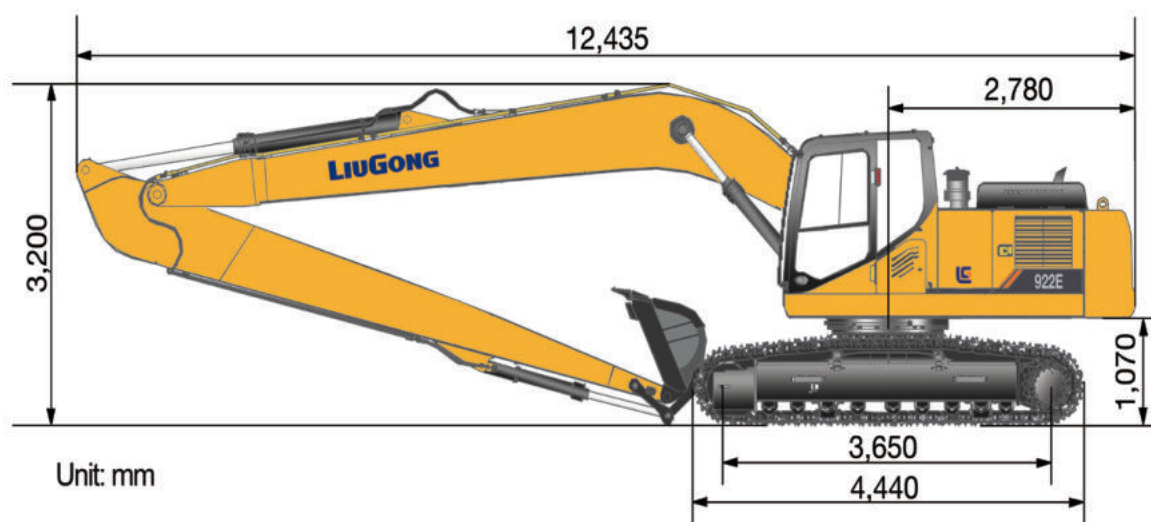
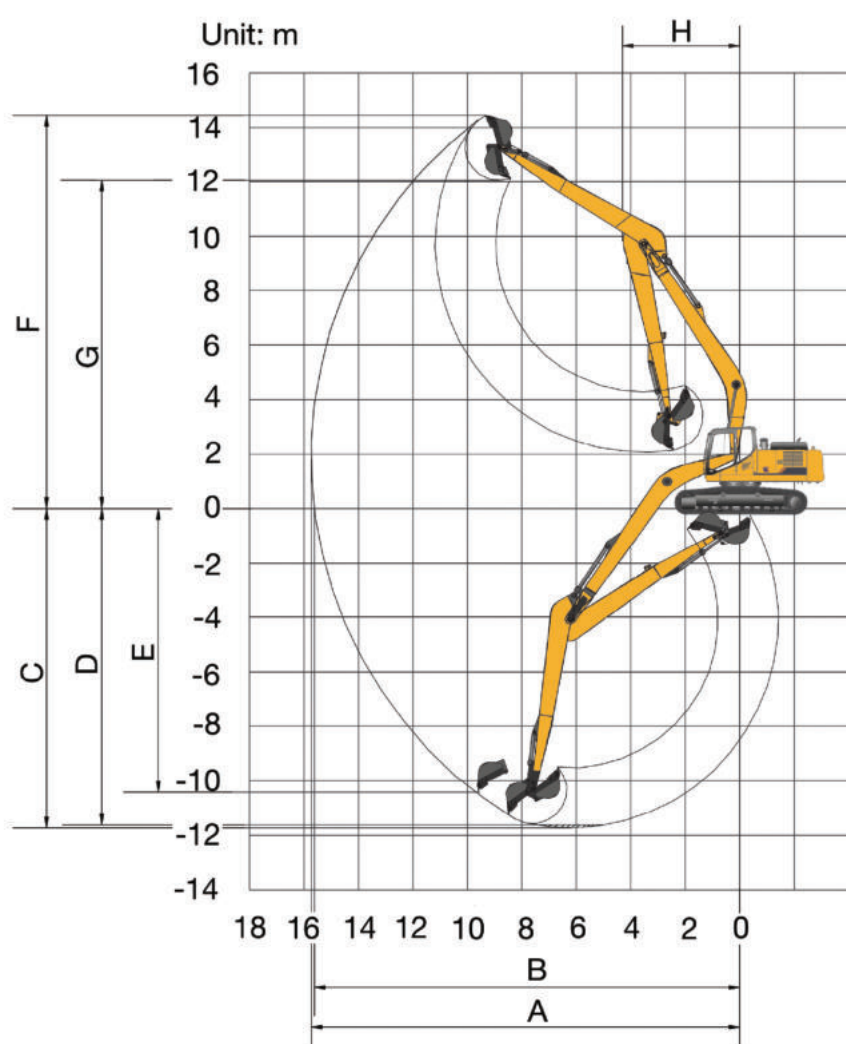
Emission Regulation	Tier 2 / Stage II
Manufacturer	Cummins
Model	6BTAA5.9-C150-II
Gross Power	112 kW (150 hp / 152 ps) @ 1,950 rpm
Net Power	102 kW (137 hp / 139 ps) @ 1,950 rpm
Peak Torque	614 N·m @ 1,500 rpm
Number of Cylinders	6
Displacement	5.9 L

UNDERCARRIAGE

Shoe Width, Triple Grouser	800 mm
Number of Shoes per Side	49
Number of Upper Rollers per Side	2
Number of Bottom Rollers per Side	8

SWING SYSTEM

Swing speed	12.5 rpm
Swing torque	78,200 N·m



ARM & BOOM

Arm Length	7,530 mm
Boom Length	8,690 mm

OPERATING WEIGHT

Operating Weight (800 mm shoes)	23,850 kg
Ground pressure	36.8 kPa

BUCKET PERFORMANCE

Bucket Heaped Capacity (Referenced Iso 7451)	0.45 m ³
--	---------------------

TRACK DRIVE

Max. travel speed	High : 5.5 km/h Low : 3.3 km/h
Gradeability	35° / 70%
Max. drawbar pull	220 kN

SERVICE CAPACITIES

Fuel Tank	420 L
Engine Oil	25 L
Cooling System	25 L
Hydraulic Reservoir	210 L
Hydraulic System Total	330 L

HYDRAULIC SYSTEM

Main Pumps Total Flow	2 x 224 L/min
Relief Pressure, main	34.3 MPa
Relief Pressure, boost	37.3 MPa

WORKING RANGE

A. Max. Digging Reach	15,110 mm
B. Max. Digging Reach on Ground	14,985 mm
C. Max. Digging Depth	11,910 mm
D. Max. Digging Depth, 2.44 m (8') level	11,785 mm
E. Max. Vertical Wall Digging Depth	9,065 mm
F. Max. Cutting Height	12,780 mm
G. Max. Dumping Height	10,535 mm
H. Min. Front Swing Radius	4,270 mm
Bucket Digging Force (ISO)	60 kN
Arm Digging Force (ISO)	76 kN

Guangxi Liugong Machinery Co., Ltd.

No. 1 Liutai Road, Liuzhou, Guangxi 545007, PR China
T: +86 772 3886124 E: overseas@liugong.com
www.liugong.com

Specifications and designs are subject to change without notice. Machines shown may include optional equipment. Liugong standard and optional equipment may vary from region to region. Please consult your Liugong dealer for information specific to your area. Engine power kW is converted to horsepower (1 kW=1.3596 ps and 1 kW=1.3410 hp) in this file.

12/2020 Designed by LiuGong